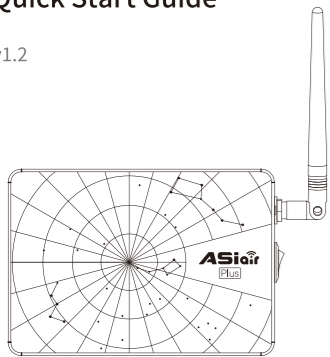


# ASIAIR Plus

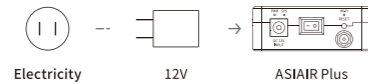
## Quick Start Guide

v1.2



### 1. Install the ASIAIR App from the store

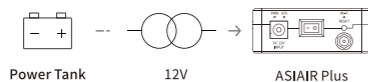
Power ASIAIR Plus with a 12V@5A power adapter.



Electricity

12V

ASIAIR Plus



Power Tank

12V

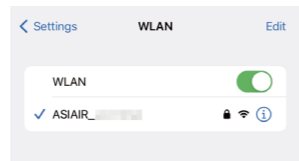
ASIAIR Plus

Scan the QR code below or search ASIAIR in App Store/Google Play to download the App.



### 2. Connect to Wi-Fi network

Connect the device to the ASIAIR WiFi (ASIAIR\_XXXXXXX), Enter the initial password 12345678, then launch the App.



### 3. Activate ASIAIR Plus

Follow the App prompts to complete the activation. (Online activation is only required when you first launch the ASIAIR App.)

#### #iPhone & Android Phone

Make sure your phone can still access the internet when it is connected to ASIAIR WiFi, then you can accomplish the online activation directly.

#### #iPad & Tablet (Wi-Fi models)

Devices above cannot access the Internet while connecting to the ASIAIR WiFi, so you need to switch the device network twice during the activation.

①. After entering into the activation page, switch your network to the Internet and tap "Get Authorization Code".

②. After the app prompts "Authorization code has been obtained", switch your network to ASIAIR WiFi, return to the App and tap "activation" to complete online activation.

### 4. Connect USB devices



Connect the main camera and USB memory stick to the USB 3.0 interfaces of ASIAIR Plus.



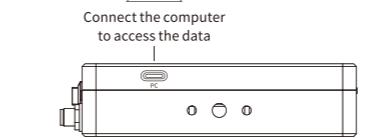
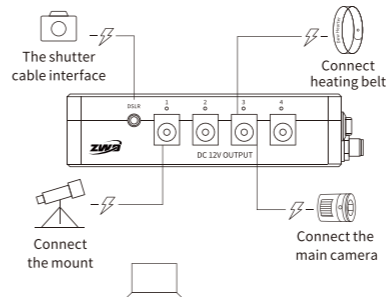
Connect the guide camera and mount to the USB 2.0 interfaces of ASIAIR Plus.



Connect EAF and EFW to the main camera's USB HUB.

### 5. Connect power cables

Connect power to your main camera, dew heater straps and mount.



Pay attention to the length of your power cables to avoid cable snags while slewing which could damage your devices.

### 6. Launch ASIAIR App to start your astrophotography journey!



### 7. In the box



ASIAIR Plus body



Quick guide



DC 0.5m cable# \*2



DC 1.0m cable# \*2



DC 1.5m male-female extension cable# \*1



USB 3.0 0.75m Type-B date cable \* 1

#All power cables are 5.5mm\*2.1mm standard.

### 8. Notes

1. Online activation is only required when you first launch the ASIAIR App.

2. During the activation process, don't keep it in the background or close it, nor cut off the power of the ASIAIR device.

### 9. Contact us/Get help



Scan to visit our website

Official website: <https://zwoastro.com>

Facebook: <https://www.facebook.com/zwoastro/>

Instagram: <https://www.instagram.com/zwoastro/>

Twitter: <https://twitter.com/zwoastro>

Tel: +86 0512 65923102